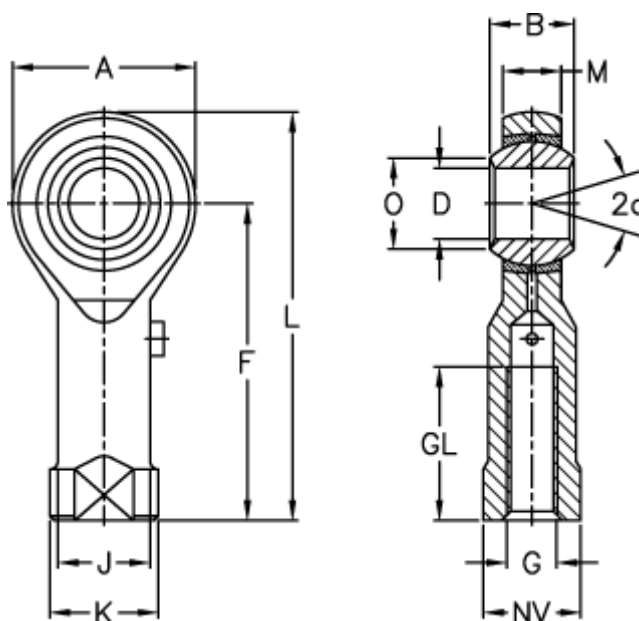


Article number: 5430131415

Description: LDK Rod end PHS 14/F1
M14x1,5

Measures



A	= 34	J	= 20.0
a (degrees)	= 16	K	= 25
B	= 19	L	= 74
D	= 14	M	= 13.50
Dynamic load C (kN)	= 13.0	NV	= 22
F	= 57	O	= 16.80
g	= M14x1,25	Static load C0 (kN)	= 29.8
GL	= 27	Weight (g)	= 160.0